

Hedge and Grass Cutters



[www.kuhn.com](http://www.kuhn.com)

# PRO-LONGER GII

## Product Information



be strong, **be KUHN**



**PRO-LONGER GII**

5.04 to 7.40 m

83 hp

Pivot



LANDSCAPE MAINTENANCE

## PRO-LONGER GII, the established professionals

The PRO-LONGER GII range is resolutely aimed at all green space maintenance professionals: agricultural contractors, councils, highway departments, etc.

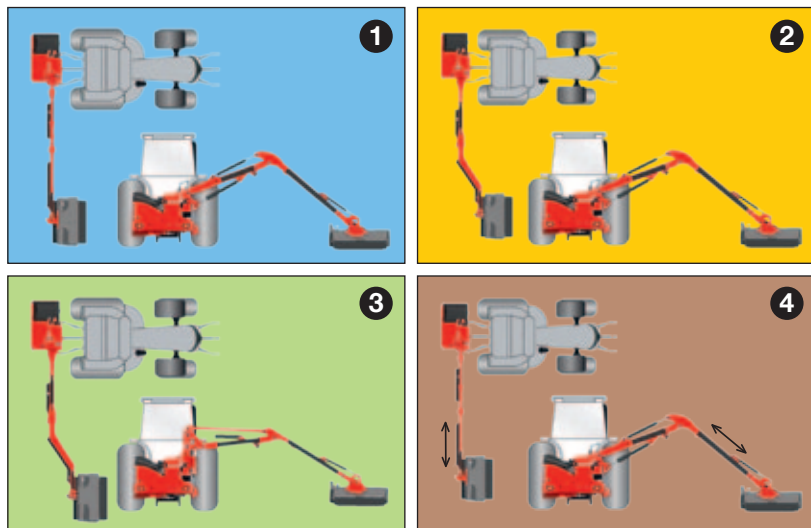
On the strength of its quality construction and high-performance components, the PRO-LONGER GII offers the guarantee of an outstanding result even with an annual workload in excess of 1500 hours!

With a horizontal reach ranging from 5.04 to 7.40 m and 80 hp of useful rotor circuit power, highway maintenance professionals will find a model in the PRO-LONGER range that is suited to their needs:

- 5.04 and 5.63 m straight compass-type arm
- 5.63 m semi-leading compass-type arm
- 5.70 and 6.10 m semi-leading parallelogram-mounted arm
- 6.10 and 7.40 m straight telescopic arm

On the strength of its quality construction and high-performance components, this machine range also offers the guarantee of a quality result.

## ARM DESIGNS: Take your pick!



**1 Straight arm with compass movement (P).** This arm has a reach of 5.04 or 5.63 m and is perfectly suitable for traditional use. The choice of horizontal reach will be determined by the type of work to be tackled and the available tractor weight.

**2 Semi-leading arm with compass movement (SP).** The semi-leading arm with its 1149 mm offset (distance between the rotor axis and the hitching axis to the tractor ball joints) provides full comfort in terms of visibility. It offers 5.63 m of horizontal reach.

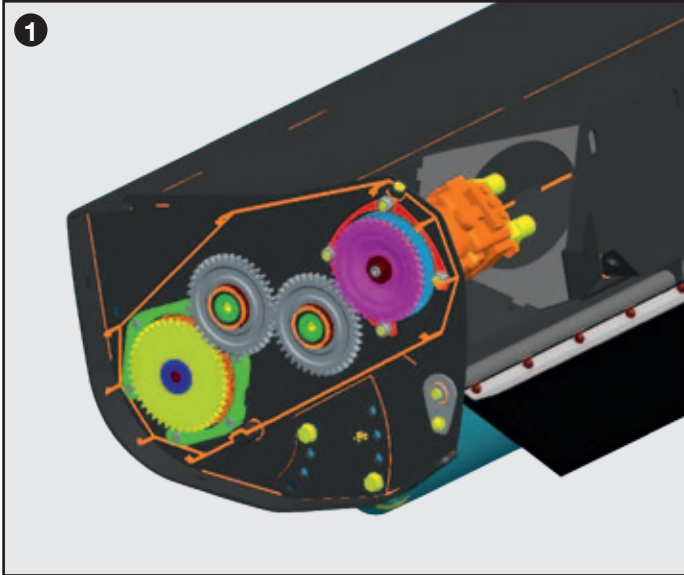
**3 Semi-leading arm with parallelogram movement (SPA).** These models combine all the benefits in terms of visibility and operating comfort offered by the parallelogram over a range of 5.70 or 6.10 m.

**4 Straight arm on a telescopic system (TP).** Depending on the required horizontal reach (6.10 or 7.40 m), the stroke of the final section varies from 1.00 to 1.50 m. Work is made easier by accessories such as saw heads.



# 80 HP FLAIL HEAD

## PATENTED MECHANICAL DRIVE



### Flail head with mechanical drive: a pure product of KUHN know-how

This tool has been designed under the premise that a professional hedge and grass cutter must be synonymous with performance. The 80 hp flail head fitted as standard to all models in the PRO-LONGER GII range is patented by KUHN.

Transmission is provided by a train of four sprockets 1 lubricated in an oil bath. The gearbox takes up considerably less space. It is therefore easier for the operator to work in ditch bottoms while reducing the quantity of

uncut grass at the end of the head to a strict minimum 2.

The gearbox is fully watertight enabling the flail head to work in the bottom of waterlogged or muddy ditches.

No maintenance is required except for a simple annual oil change. When the rotor encounters a major obstacle, safety is ensured by an oil return via the valves on the circuit.



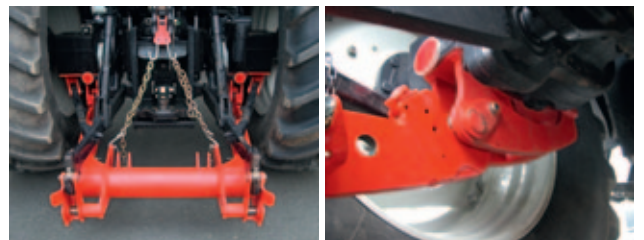
### EP CONTROL: FOUR ELECTRIC PROPORTIONAL FUNCTIONS

The PRO-LONGER GII is controlled via a joystick with four electric proportional functions 3. The proportional effect works in both "up" and "down" directions.

For efficiency, the functions of the arm, outer boom, flail head orientation, pivot and floating head can be activated simultaneously thanks to the ergonomic handle and the output of the movement pump.

The controls are easy to install in the cab. A single cable links the machine to the controls.

The control console can be separated from the armrest to adapt to all cab layouts 4. It contains a large number of functions including the various warning indicators, hour meter, ram speed programming, diagnostic and repair modes, automatic break-back (optional), basic hydropneumatic or optional automatic lift float, etc.



### STABI-LINK FITTED AS STANDARD: YOUR TRACTOR IS READY IN 5 MINUTES!

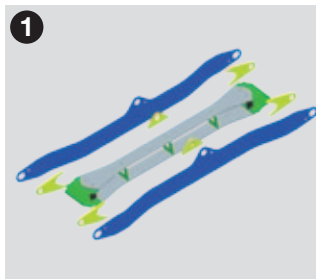
Today's tractors have to tackle a wide range of jobs. In order to meet this need while guaranteeing a stable linkage with the machine, KUHN has developed and patented the STABI-LINK. This device requires no changes to be made to the tractor linkage and can be fitted and removed in double-quick time.

As this is a universal linkage, a single frame can be installed on several tractors just by adjusting the STABI-LINK arms. Only the hitch supports permanently mounted on the rear axle tubes are specific to the tractor.

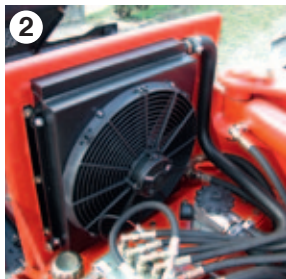
The STABI-LINK is fitted and mounted effortlessly using the tractor lift (traditional frames often require external handling equipment).



# A long-life design



**1 The heavy-duty construction** with the reconstituted arm structure guarantees the best machine weight-to-robustness ratio. Use of very high yield noble steels on the entire arm assembly gives its structure the strength required to resist the stresses inherent in long reach situations.



**2 A 21 kW oversized air-cooled radiator with double heat exchanger** as standard for constant power. All hydraulic components are protected against temperature peaks.



**3 The XTREM 140 mm sensor roller** fitted as standard is perfectly watertight in all working conditions. Where jobs mainly involve mowing verges, a 168 mm diameter XTREM roller is available as an option.



**A choice of flail head and rotor.**

Depending on the type of work to be tackled, the universal rotor can be replaced by a "thick wood" rotor **4**. It comprises 360° hammers that retract into the rotor body. It is designed for cutting through branches up to 10 cm in diameter.

The models in the PRO-LONGER GII range can also be fitted with a 1.60 m wide flail head **5** to limit the number of passes on broad verges.



## Technical specifications

## PRO-LONGER GII Hedge and Grass Cutters

	EP 5183 P	EP 5683 P	EP 5683 SP	EP 5783 SPA	EP 6183 SPA	EP 6183 TP	EP 7483 TP
Type of control	4-function joystick with electric proportional control						
Horizontal reach (m)	5.04	5.63	5.63	5.70	6.12	6.10	7.40
Vertical reach (m)	6.32	6.89	6.89	7.01	7.25	7.08	8.35
Maximum hedge height (m)	4.42	4.81	4.81	5.45	5.91	5.42	6.10
Reach to 45° ditch (m)	3.23	3.55	3.55	3.68	4.15	3.73	5.13
Reach to bank (m)	5.19	5.77	5.77	6.05	6.46	6.10	7.37
Minimum lateral reach (m)	1.62	1.62	1.62	1.86	1.86	1.70	1.86
Flail head working width (m)	1.20	1.20	1.20	1.20	1.20	1.20	1.20
Type of safety	Hydraulic pivot						
Slew angle	116°	116°	116°	116°	116°	116°	116°
Flail head rotation	240°	240°	240°	240°	240°	240°	240°
Sensor roller diameter (mm)	140	140	140	140	140	140	140
Air-cooled radiator	Série	Série	Série	Série	Série	Série	Série
Motor drive	Oil immersed gear train						
Rotor circuit power (kW/hp)	59/80	59/80	59/80	59/80	59/80	59/80	59/80
Type of rotor circuit pump	Pistons	Pistons	Pistons	Pistons	Pistons	Pistons	Pistons
Type of movement circuit pump	Geared, cast iron casing						
Type of flail head motor	Pistons	Pistons	Pistons	Pistons	Pistons	Pistons	Pistons
Reservoir capacity (litres)	80	80	80	80	80	80	80
Recommended tractor weight (tonnes)	4	4.5	4.5	5	5	6	6.5
Min. tractor power (kW/hp)	74/100	74/100	74/100	74/100	74/100	88/120	88/120
Machine weight (kg)	1 440	1 480	1 495	1 580	1 610	2 090	2 150

For more information about your nearest KUH N dealer, visit our website [www.kuhn.com](http://www.kuhn.com)


**KUH N NORTH AMERICA, INC.**

1501 West Seventh Avenue - P.O BOX 167 - Brodhead, WI 53520 - USA

**KUH N-AUDUREAU S.A.**

BP 19 - FR 85260 La Copechagniere

Our material is produced in accordance with the European Machinery Directive in the member states of the European Union. In countries outside the E.U., our machinery complies with the safety regulations set by the country concerned. Some safety devices may have been removed from our leaflets in order to clarify the illustration. Under no circumstances should the machine be operated without the necessary safety devices in place (as specified by the assembly instructions and operators manual). We reserve the right to change any designs, specifications or materials listed without further notice. Machines and equipment in this document can be covered by at least one patent and/or registered design. Trademarks cited in this document may be registered in one or several countries.

 <a href="http://www.kuhn.com">www.kuhn.com</a>	Your KUH N dealer
---	-------------------

